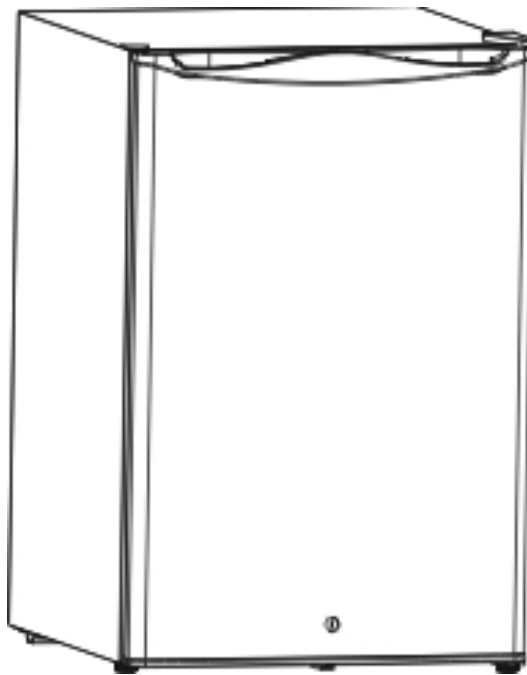


INSTRUCTION MANUAL

MODEL: SSRFR

REFRIGERATOR



CAUTION: Read and follow all safety rules and operating instructions before first use of this product, and please keep this information in a safe place for future reference.

Contents

Important.....2

- Product Safety
- Electrical Safety
- Connection to Power Supply
- Disposal of Used Appliance

Features.....3

Before Putting Into Use.....4

- Position the Fridge
- Instructions for Use

Using Your Fridge.....4

- Guidelines for Use of Your Fridge
- Temperature Dial
- Holiday Periods
- For Longer Holiday Periods

Maintenance and Cleaning.....5

- Automatic Defrosting of the Appliance
- Cleaning of the Appliance
- Water is leaking from the Appliance
- Noise
- Replacing the Bulb
- Technical Specification

Trouble-Shooting Guide.....7

- The Appliance Fails to Operate After Connecting to Electrical Power Supply
- Continuous Operation of the Cooling System
- Ice Formation on the Inner Rear Wall

IMPORTANT

Product Safety

The mains lead of this product is not replaceable by the user. If the mains lead is damaged, it must be replaced by an authorized dealer.

The appliance must be properly connected to an electrical power supply. (See: Connection to Power Supply)

Always disconnect the appliance from the power supply before cleaning the appliance, or attempting repairs.

WARNING: Repairs should be performed by qualified service personnel only.

Do not defrost the appliance with other electric appliances (for example a hair dryer) and never attempt to scrape or remove ice/frost with sharp objects.

The cooling system of the appliance is filled with refrigerant and oil, so when the appliance is damaged, handle it with care and dispose of it in compliance with environmental protection safeguards.

Electrical Safety

WARNING!

Read these safety instructions thoroughly before connecting this product to the mains supply.

Before switching on, make sure that the voltage of your electricity supply is the same as that indicated on the rating plate. This product is designed to operate on 115 V AC 60 Hz. Connecting it to any other power source may cause damage. This product is fitted with a non-rewirable plug

WARNING: Instructions to avoid the risk of fire, electric shock, or injury to persons.

WIRING INSTRUCTIONS

For our personal safety, this appliance must be earthed. In the event of a malfunction or breakdown, earthing will reduce the risk of electric shock by providing a path of least resistance for electric current. The plug must be plugged into an appropriate wall outlet that is installed and wired in accordance with all existing local codes and ordinances. Consult a qualified electrician or serviceman if the wiring instruction is not clearly understood or if doubt exists as to whether the appliance is properly earthed.

Connection to Power Supply

Connect the appliance power cord and plug to a properly earthed wall outlet. The required nominal voltage and frequency are indicated on the rating plate (inside the unit or on the exterior rear of the unit).

WARNING: Do not use an extension cord.

If the power cord is too short, have a qualified electrician install an outlet near the appliance.

If the power cord is damaged, have it replaced by an authorized service center.

WARNING!

There are no user-serviceable parts inside — always refer to qualified service personnel.

This unit is not designed to be installed in an RV or used with an inverter.

Allow 3" clearance between back of fridge and wall for adequate ventilation.

Disposal of Used Appliances

DANGER:

Risk of child entrapment. Before you throw away your old refrigerator or freezer:

1. Take off the doors.
2. Leave the shelves in place so that children may not easily climb inside

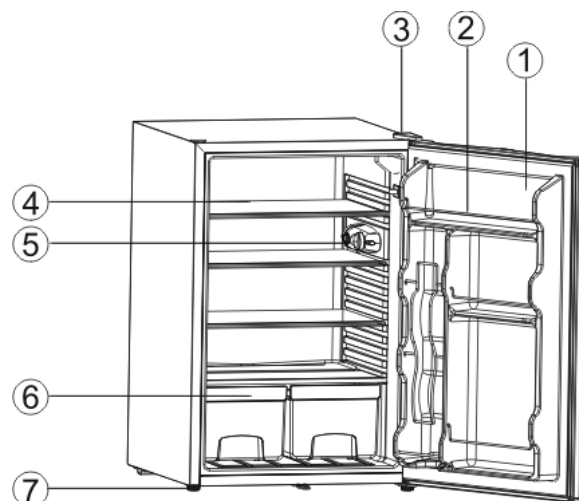
WARNING!

Take great care if small children are present. If in doubt, fit a proprietary child safety device.

When your appliance finally wears out, dispose it in a safe and harmless manner. If the appliance is equipped with a door lock that cannot be opened from the inside (lock bolt), make sure the lock is removed, disabled or destroyed before being discarded. This will prevent children accidentally locking themselves inside the appliance and suffocating.

The cooling system of the appliance is filled with refrigerant and insulating sub-stances which should be separately treated and processed.

Features



- ① Door ② Rack Of Door ③ Upper Hinge Part ④ Shelf
⑤ Thermostat ⑥ Crisper Drawer ⑦ Adjustable Leg

Before Putting Into Use

Carefully remove your Fridge from the box. You may wish to retain the packaging for future use.

Position the Fridge:

- On a stable flat surface
- Where it has sufficient ventilation
- Close to a mains supply socket

Before connection the appliance to electrical power supply, leave it to stand for about 2 hours, which will reduce the possibility of malfunctions in the cooling system due to transport handling.

Remove any packaging materials and tape from the inside of the fridge before use.

If young children are present, we recommend that a simple safety catch is fitted to eliminate the possibility of children becoming trapped inside.

Behind the appliance should be at least 3 inches.

There should be at least 3 inches between both sides of the chiller and other article.

Make sure that the fridge is stable. Use the leveling feet to correct any instability.

Ensure that the mains power cable is not placed where it can be inadvertently pulled or pinched.

Wipe the inside of the fridge with a damp cloth and the outside with a soft dry cloth.

Plug into the mains supply and switch the socket on.

Adjust the temperature control between 1 and 7 as desired to start the cooling process.

Refer to the following sections for temperature control.

Adequate ventilation must be provided so that any radiated heat cannot reach the appliance.

Using Your Fridge

Guidelines for Use of Your Fridge

- . Beverages should be stored upright in sealed containers to avoid leakage.
- . Do not overload - always allow room for cold air to circulate around the contents.
- . Do not open the door unnecessarily or leave the door ajar.
- . Do not cover the shelves with any material such as aluminum foil as this will impede air circulation within the cabinet.
- . Set the thermostat from higher to lower settings as soon as possible (depends on how loaded the appliance is and ambient temperatures etc.)
- . Ice and frost layers increase energy consumption, so clean the appliance as soon as the frost layer is 3-5mm thick.

Temperature Dial

The temperature dial is located at the top of the fridge cabinet.

The '0' position is off.

Turn the dial clockwise to reduce the temperature. Aligning the arrow with 7 on the dial will produce the lowest temperature. Note that you do not need to have the temperature at its lowest setting for normal operation. The optimum storage temperature is approximately 6 degrees centigrade (between 3&4 on the dial). The rear of the fridge is coolest, near the refrigerating element. If in doubt, check the temperature with a fridge thermometer.

Holiday Periods

For short holiday periods, leave the fridge on at its normal temperature control setting. Check the dates on any perishable foodstuffs (especially meat/fish and milk all of which can spoil quickly).

For Longer Holiday Periods:

- . Remove the food from the fridge
- . Disconnect from the mains supply
- . Clean the fridge
- . Prop the door open to prevent the formation of condensation, mold or odors

Maintenance and Cleaning

Automatic Defrosting of the Appliance

There is no need to defrost the chiller, because ice depositing on the inner back wall is defrosted automatically.

Ice Build up on the inner back wall during the compressor operation will defrost automatically (when the compressor has cycled off). Defrost water will drain out passing through the drain situated above the compressor, from where it evaporates.

Cleaning the Appliance

Disconnect the power supply before cleaning the appliance.

Do not use coarse or aggressive cleaning agents as you may damage the surface.

Clean the exterior with water and detergent.

Remove the detachable accessories in the interior of the appliance and clean with water and liquid detergent. Plastic parts cannot be washed in dishwasher.

Wash the interior of the appliance with lukewarm water, adding one or two spoonfuls of vinegar.

After cleaning, connect the appliance to power supply and reload it.

Water is leaking from the Appliance

If the discharge water outlet is clogged, or the defrost water drips over the channel, water will leak from the appliance.

Clean the clogged outlet

Manually defrost the increased ice layer (see ice formation on the inner rear wall).

Noise

Cooling in this appliance is made possible by cooling the system using a compressor, which will produce certain noise levels. How noisy the appliance depends on where it is placed, how it is used and how old the appliance is.

During the operation of the compressor the noise of the liquid is heard and when the compressor is not operating, the refrigerant flow is heard. This is a normal condition and it has no influence whatsoever on the life span of the appliance.

After starting the appliance, the operation of the compressor and the refrigerant flow may be louder, which does not mean that something is wrong with the appliance and it has no influence on the life span of the appliance.

Gradually the noise will reduce.

Sometimes unusual and louder noise may be heard. This noise is often a consequence of inadequate installation.

The appliance must be leveled and installed on a firm solid base/floor.

The appliance should not touch the wall or kitchen units standing next to it.

Replacing the Bulb

1. Switch off the fridge before replacing the bulb.
2. Remove the lamp cover.
3. Unscrew the bulb, and replace with a new one.
4. Replace the lamp cover.
5. Wait 5 minutes and switch the fridge back on.

Technical Specification

Model	SSRFR
Rated Voltage (V)	115V
Rated Frequency(Hz)	60Hz
Rated Input Power (W)	85W
Noise dB(A)	39
Protective Classification Of Electric Shook Resistance	I
Size (WxDxH)	21.65 x 22 x 32.67 in
Total Capacity	130L
Refrigerant	R134a
Climate Category	N
Net Weight	25

Trouble-Shooting Guide

Sometimes you may come across minor problems that in most cases do not require a service call and can be easily eliminated. The problem may have resulted from improper handling and / or installation of the appliance. Please refer to the below trouble-shooting guide to assist you in identifying the possible cause and solution to your problem. Should the problem still persist after completing these check-points, contact the nearest authorized service agent in your area for assistance.

The Appliance Fails to Operate After Connecting to Electrical Power Supply

Check if the power cord is properly connected.

Check the power supply in the electrical outlet. (blown fuse / circuit breaker).

Make sure the appliance is switched on. (thermostat knob in operating position)

Continuous Operation of the Cooling System

The door is frequently opened or left open for too long.

The door is not properly closed (the door may sag; the gasket may be polluted or damaged).

Perhaps you may have overloaded the appliance.

The reason may be inadequate ventilation of the compressor (assure adequate air circulation).

Ice Formation on the Inner Rear Wall

As long as the defrost water runs to the channel and through the outlet to the drain pan on the compressor, automatic defrosting of the appliance is assured.

In case the ice formation on the inner back wall is increased (3-5in.), ice should be manually defrosted. Set the thermostat knob to STOP (0) position and leave the door open. Never use electric devices for defrosting and do not scrape the ice or frost layer with sharp objects.

After defrosting is complete, turn the knob to desired position and close the door.

The cause of increased ice formation may be one of the following:

- . the door does not seal well (clean the gasket if it is contaminated, or replace it is damaged)
- . the door is frequently opened or left too long
- . the food stored in the appliance was warm.
- . the food or dish is touching the inner back wall.