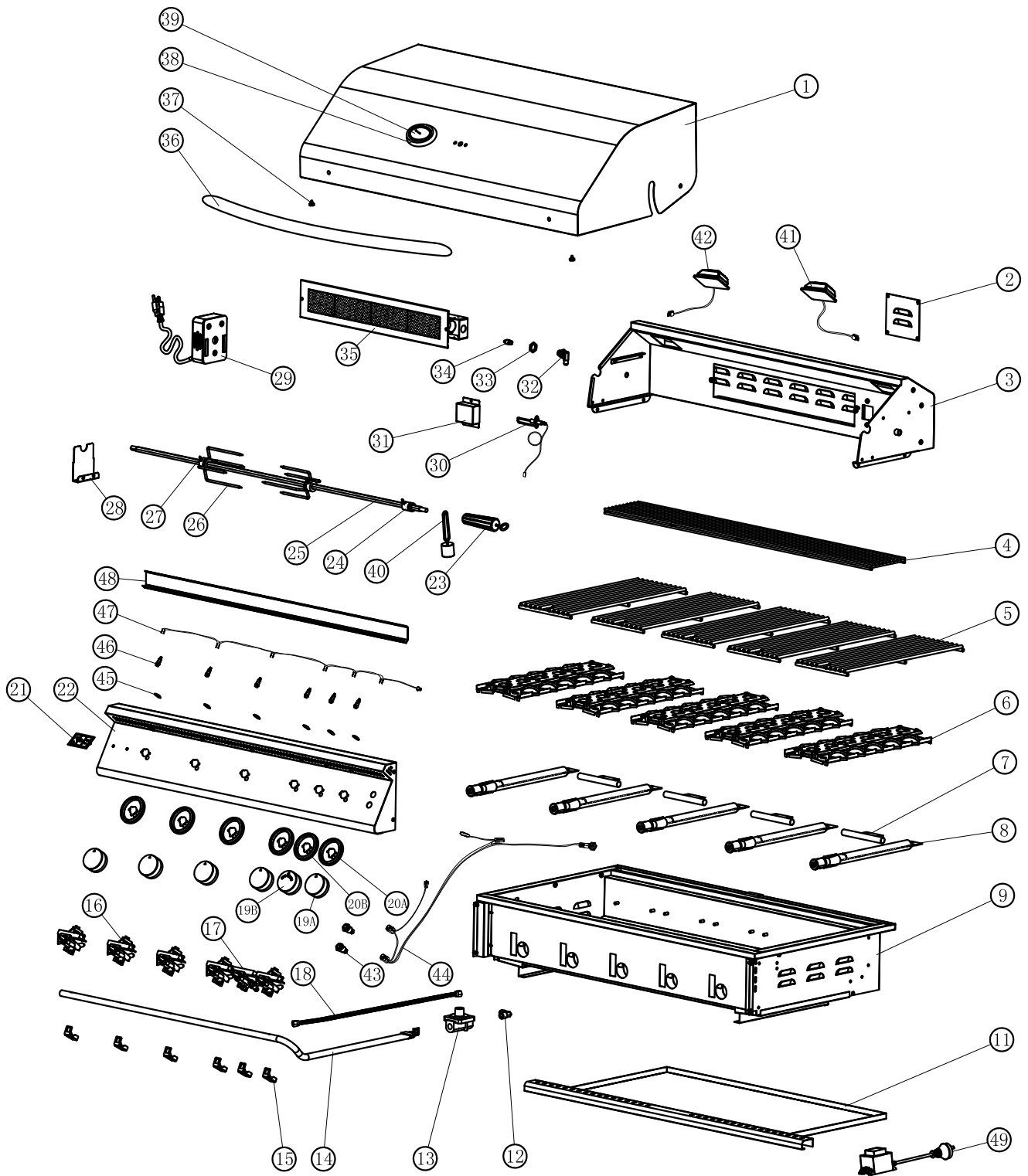


RJC32AL / RJC40AL Enlarged View



RJC32AL/RJC40AL Parts List

ITEM	PART NO.	DESCRIPTION	QTY.	
			RJC32AL	RJC40AL
1	RJC002P	32"-TOP HOOD	1	
	RJC051P	40"-TOP HOOD		1
2	RJC003P	ACCESS DOOR	1	1
3	RJC062P	32"-REAR HOOD	1	
	RJC063P	40"-REAR HOOD		1
4	RJC007P	32"-WARMING RACK	1	
	RJC053P	40"-WARMING RACK		1
5	RJC008P	TOP GRATE	4	5
6	RJC009P	BRIQUETTE TRAY	4	5
7	RJC010P	CROSSOVER TUBE	3	4
8	RJC011P	BURNER	4	5
9	RJC064P	32"-BASIN	1	
	RJC065P	40"-BASIN		1
11	RJC016P	32"-DRIP TRAY	1	
	RJC055P	40"-DRIP TRAY		1
12	RJC017P	90 DEGREE FITTING	1	1
13	RJC018P	REGULATOR	1	1
14	RJC020P	32"-MANIFOLD	1	
	RJC056P	40"-MANIFOLD		1
15	RJC021P	VALVE LATCH	5	6
16	RJC022P	MAIN VALVE-NATURAL GAS	4	5
	RJC060P	MAIN VALVE-RPOPANE	4	5
17	RJC023P	IR BURNER VALVE - NATURAL GAS	1	1
	RJC061P	IR BURNER VALVE - RPOPANE	1	1
18	RJC024P	IR BURNER FLEX TUBE	1	1
19A	RJC066P	KNOB-MAIN BURNER	4	5
19B	RJC067P	KNOB-BACK BURNER	1	1
20A	RJC026P	KNOB BEZEL-MAIN VALVE	4	5
20B	RJC049P	KNOB BEZEL-IR BURNER VALVE	1	1
21	RJC027P	LOGO PLATE	1	1
22	RJC068P	32"-CONTROL PANEL	1	
	RJC069P	40"-CONTROL PANEL		1
23	RJC030P	ROTISSERIE HANDLE (OPTIONAL)	1	1
24	RJC031P	SPIT COLLAR (OPTINAL)	1	1
25	RJC032P	32"ROTISSERIE SPIT (OPTIONAL)	1	
	RJC058P	40"ROTISSERIE SPIT (OPTIONAL)		1
26	RJC033P	SKEWER FORK (OPTIONAL)	1	1
27	RJC034P	THUMB SCREW (OPTIONAL)	3	3
28	RJC035P	MOTOR BRACKET (OPTIONAL)	1	1
29	RJC036P	ROTISSERIE MOTOR (OPTIONAL)	1	1
30	RJC037P	IR BURNER IGNITION WITH WIRE	1	1
31	RJC038P	IR BURNER IGNITION HOUSE	1	1
32	RJC039P	IR BURNER ELBOW FITTING	1	1
33	RJC040P	IR BURNER JOINT NUT	1	1
34	RJC041P	IR BURNER ORIFICE	1	1
35	RJC042P	IR BURNER	1	1
36	RJC044P	32"-HOOD HANDLE	1	
	RJC059P	40"-HOOD HANDLE		1
37	RJC045P	RUBBER STOPPER	2	2
38	RJC046P	TEMP GAUGE BEZEL	1	1
39	RJC047P	TEMP GAUGE	1	1
40	RJC050P	BALANCE WEIGHT	1	1
41	RJC070P	INNER LIGHT-RIGHT SIDE	1	1
42	RJC071P	32"INNER LIGHT-RIGHT SIDE	1	
	RJC072P	40"INNER LIGHT-RIGHT SIDE		1
43	RJC073P	LIGHT/LED SWITCH	2	2
44	RJC074P	LIGTH WIRING	1	1
45	RJC075P	FIXING PLATE-LED LIGHT	5	6
46	RJC076P	LED LIGHT	5	6
47	RJC077P	32"LED WIRING	1	
	RJC078P	40"LED WIRING		1
48	RJC079P	COVER PLATE-32"LED WIRING	1	
	RJC080P	COVER PLATE-40"LED WIRING		1
49	RJC081P	TRANSFORMER	1	1